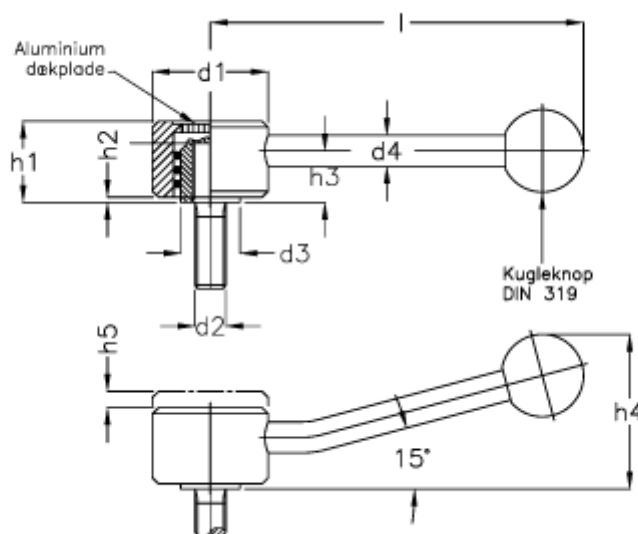


Article number: 20497878B1

Description: E+G Flat adjustable tension lever stainless
GN125.5-32-M8-32-D

Measures



$d1 = 32$

$d2 = M8$

$d3 = 13.5$

$d4 = 8$

$h1 = 20.5$

$h2 = 1.5$

$h3 = 12.5$

$h4 = 36$

$h5 = 4.0$

$l = 12$